

Head office:
 Polimex-Mostostal S.A.
 00-950 Warszawa,
 Czackiego 15/17
 Poland
www.polimex.pl

OUR PRODUCTS



WELDED GRATINGS



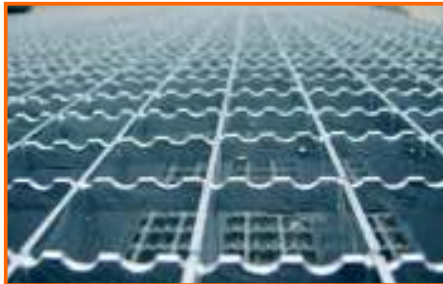
PRESS-WELDED GRATINGS



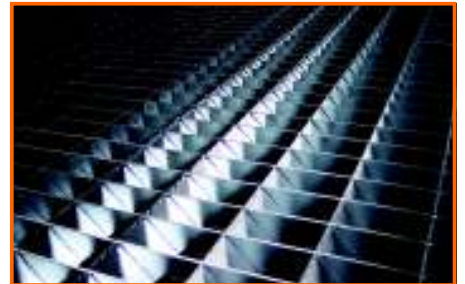
FULL PRESS-IN GRATINGS



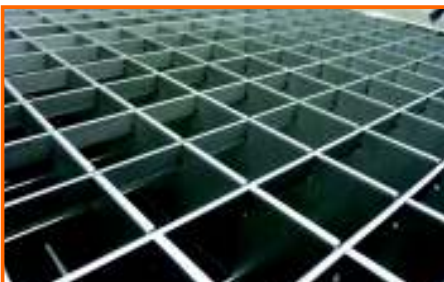
SERRATED WELDED GRATINGS



SERRATED PRESSED GRATINGS



LOUVRED GRATINGS



STAINLESS STEEL GRATINGS



**SECURITY MESH
 GRATINGS**



**OFF-SHORE
 GRATINGS**



HEAVY DUTY GRATINGS



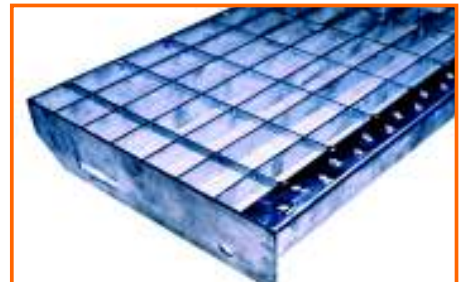
FENCES



**SPIRAL
 STAIRS**



**STRAIGHT
 STAIRS**

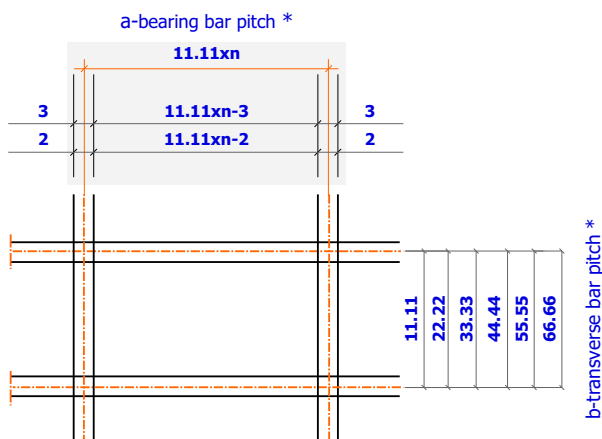


STAIR STEPS



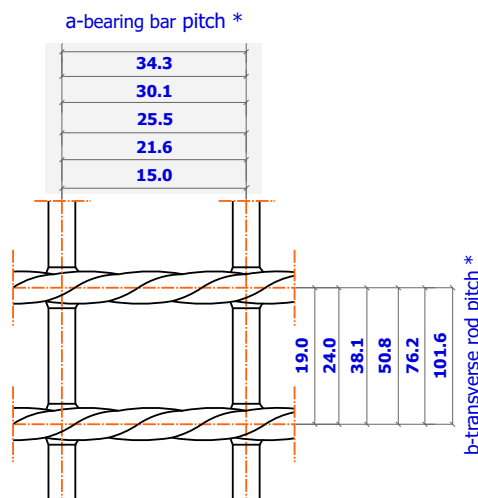
PLATFORM GRATINGS

STANDARD PRESSED GRATINGS MESHES



n - whole number (1, 2, 3, 4, 5, 6)

STANDARD PRESS-WELDED GRATINGS MESHES



Other capabilities after agreement with the Sales Office.

Types of bearing bar

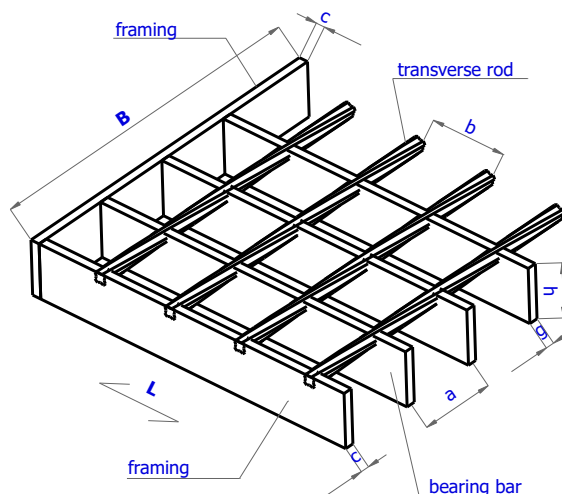
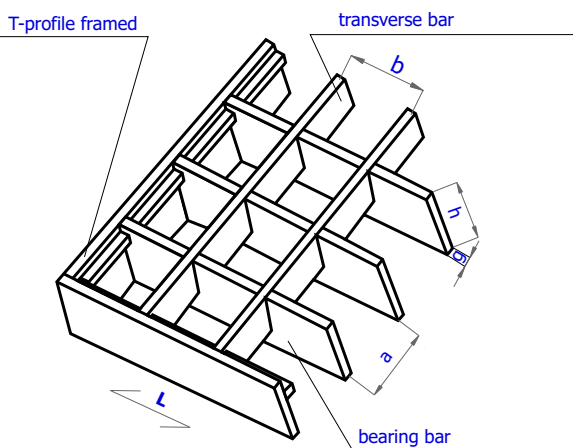
h	mm	20	25	30	35	40	50	25	30	35	40	50	
g		2						3					

Maximum length of gratings **L=2100 mm**
Maximum width of gratings **B=1700 mm**

Types of bearing bar

h	mm	20	25	30	40	25	30	40	30	40	50	60	70	30	40	50	60	70
g		2				3				4				5				

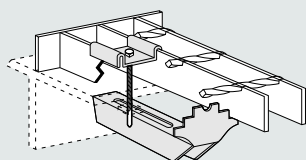
Maximum length of standard gratings **L=6100 mm**
Maximum width of standard gratings **B=1000 mm**



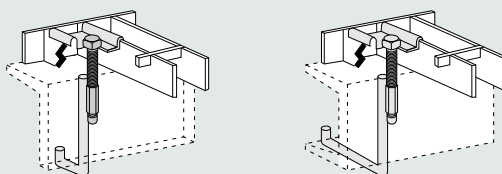
Legend

- a - bearing bar pitch
- b - transverse bar / rod
- * dimensions in axes [mm]
- h - height of bearing bar
- g - thickness of bearing bar
- c - thickness of framing
- B - width of gratings
- L - length of gratings

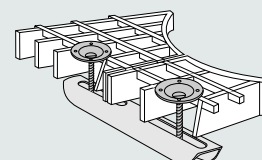
Standard handle



Hook handle

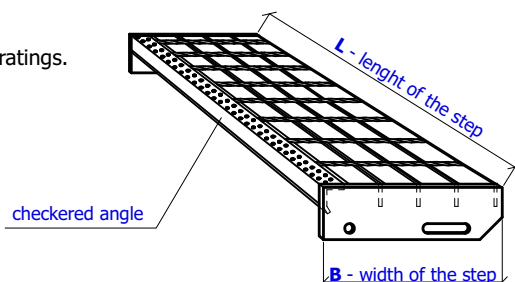


Joining gratings handle



STAIRS STEPS

The stairs steps are manufactured on the base of the pressed or welded gratings.



STANDARD SIDE PLATES

