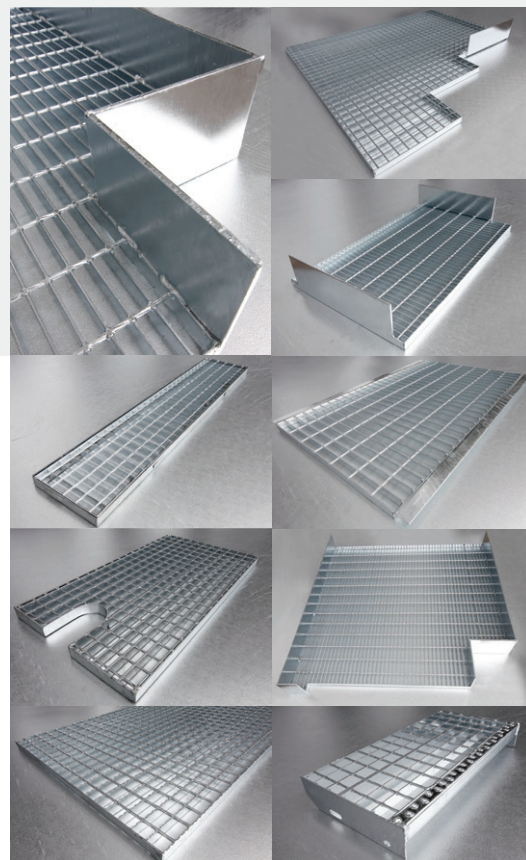
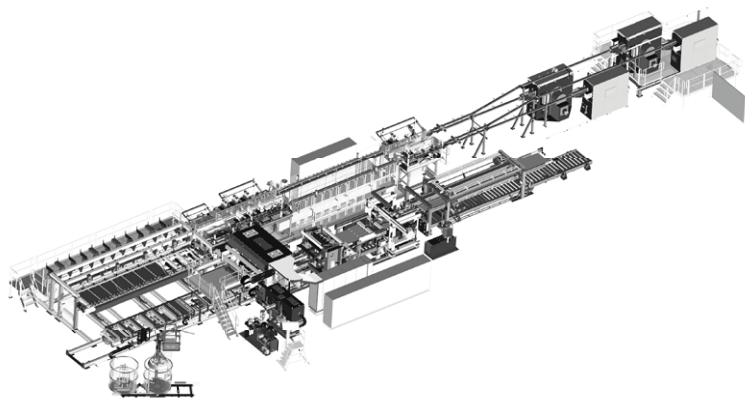


# Mostostal Siedlce with a new production line

A new dimension in the production of press welded gratings.



## Increased production capacity

The extension of our machinery stock enables our customers to benefit from our yet more attractive offer of the platform gratings. Flexible adjustment of the transverse bar scale ranging from 19mm to 130mm is the answer to the growing market demand.

## Pressing gratings to the maximum width of 1200mm

We are the only company in Poland which offers gratings and mats with the standard maximum width of 1200mm. Thanks to optimizing high-tech production processes our customer receives a new product at competitive prices.

## Manufacturing of mats with the length of up to 8500mm

Unusual projects require unusual solutions and that is why our customers can make the most of our upgraded offer according to their needs.

## Anti-corrosion protection of the highest standard

The access to the most modern hot dip galvanizing lines allows us to offer the highest quality products complying with the following norms: EN ISO 1461, DIN 50976, BS 729, ASTM A123

## Competitive completion dates

Almost 30% increase in the production capacity allows us to react quickly to the changing market needs and systematically increase the number our regular contractors.